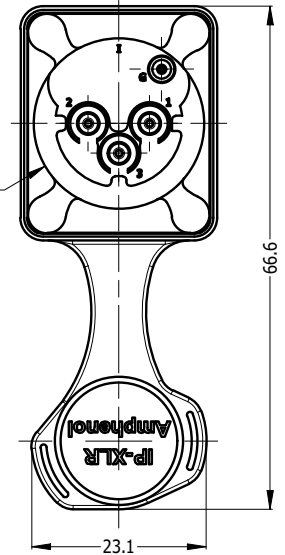
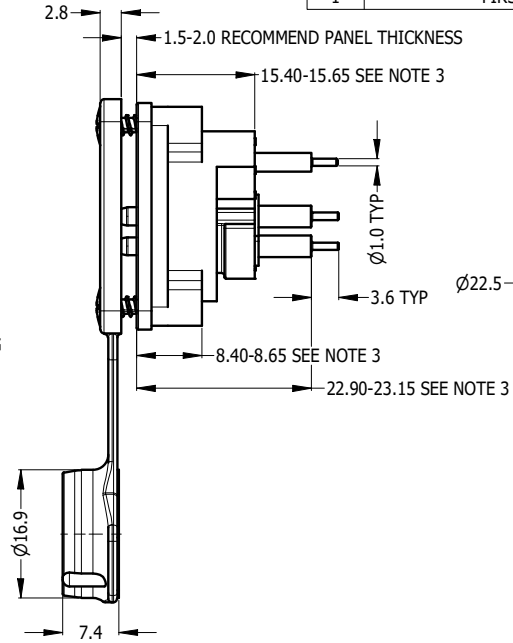
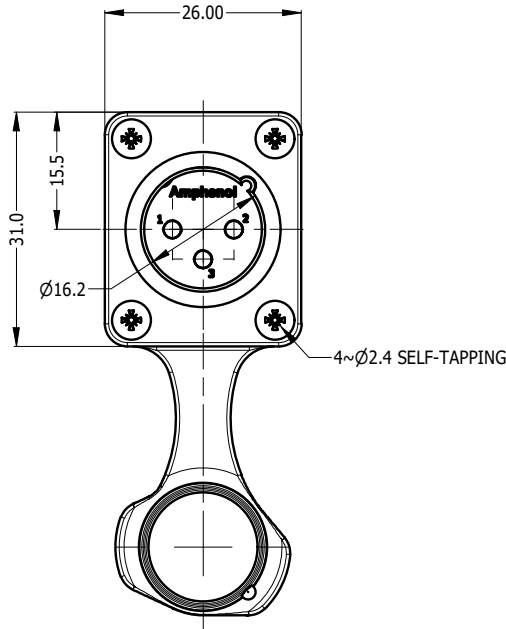
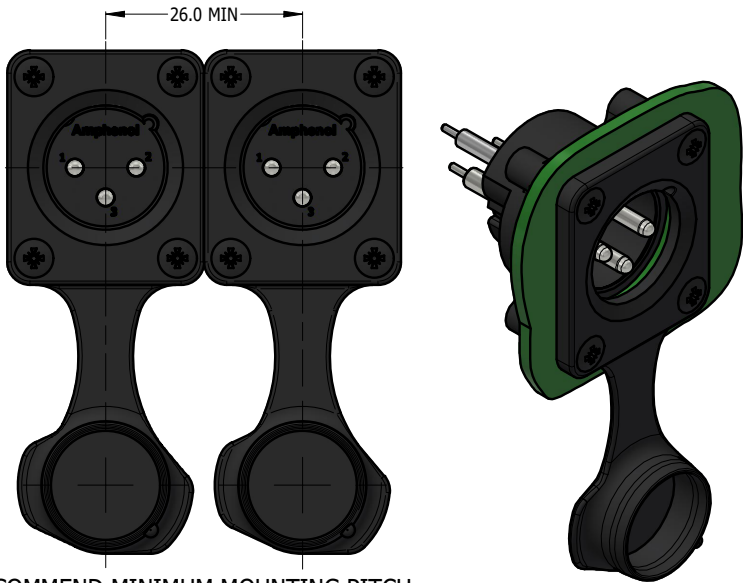


CAPPED VIEW

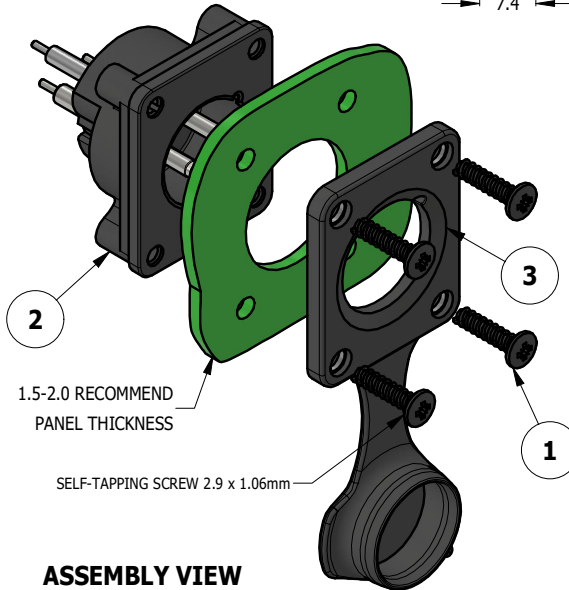
REAR VIEW



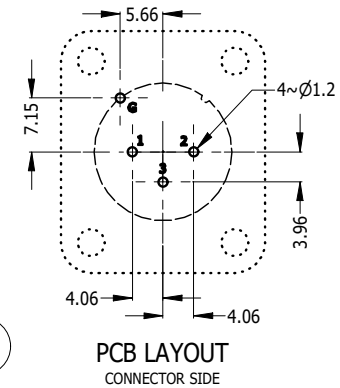
| REVISION HISTORY | | | | |
|------------------|-------------|----------|----|------|
| REV | DESCRIPTION | DATE | BY | ECN |
| 1 | FIRST ISSUE | 11-11-23 | MH | ---- |



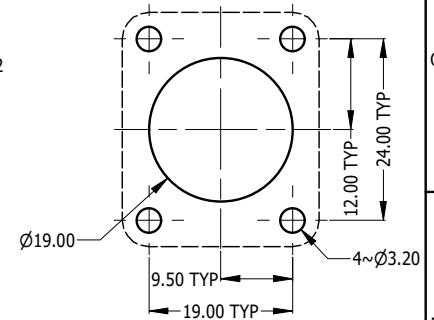
RECOMMEND MINIMUM MOUNTING PITCH



ASSEMBLY VIEW



PCB LAYOUT
CONNECTOR SIDE



RECOMMEND PANEL CUT OUT

| PART NUMBER | CONTACT FINISH |
|-------------|----------------|
| AXS3MP1V | TIN PLATED |
| AXS3MP1V-AU | GOLD PLATED |

NOTE:
 1. MATING CONNECTOR SHELL TO HAVE MIN 1.6 SURFACE FINISH TO ACHIEVE IP RATING OF THIS CONNECTOR.
 2. BLACK MOUNTING SCREW 52500011-430 x 4 PCS TO BE SUPPLIED WITH THE CONNECTOR, MAX TORQUE 0.5Nm.
 3. DUE TO 0.4mm THICK RUBBER SEAL, THE DIM WILL VARY DEPENDING ON THE SCREWS TIGHTENING IN ASSEMBLY.

| ITEM | PART NUMBER | DESCRIPTION | QTY |
|------|------------------|--|-----|
| 3 | 52730035-000 | AXS OVERMOLDED RUBBER FLANGE BLACK | 1 |
| 2 | 55011500-013/913 | AXS3MP1V WITHOUT RUBBER FLANGE - TIN/GOLD PLATED CONTACT | 1 |
| 1 | 52500011-430 | SELF TAPPING SCREW 2.9 x 1.06mm BLACK | 4 |

| UNLESS OTHERWISE SPECIFIED TOLERANCE TO BE | |
|--|-------------|
| LINEAR | ANGULAR |
| X ± 0.5 | X' ± 1 |
| X.X ± 0.2 | X.X' ± 30' |
| X.XX ± 0.1 | X.XX" ± 15' |

BREAK ALL SHARP EDGES AND REMOVE ALL BURRS

DO NOT SCALE

THIS DOCUMENT IS THE PROPERTY OF AMPHENOL AUSTRALIA PTY. LTD.
 NO PART THEREOF MAY BE REPRODUCED AND USED
 WITHOUT THE PRIOR WRITTEN CONSENT OF THE OWNER

| | | |
|-----------------------------------|-------------------|-----------------|
| MATERIAL: SEE COMPONENT | DRN: M.H | DATE: 11-11-23 |
| | CKD: M.H | DATE: 11-11-23 |
| | APP'D: P.M | DATE: 11-11-23 |
| DIMENSIONS IN MILLIMETRES | SCALE: 1:1 | SIZE: A4 |

Amphenol Amphenol Australia Pty.Ltd,
 22 Industry Blvd, Carrum Downs, VIC 3201

| | |
|---|--------------------------------------|
| TITLE: AXS3MP1V AXS PANEL MOUNT SERIES CUSTOMER DRAWING | PART No. SEE TABLE |
| CAD FILE: 55011500813110 | DRAWING No. 55011500-813-2 |
| | SHEET 2/2 |