

1 2 3 4 5 6 7 8

A B C D E F

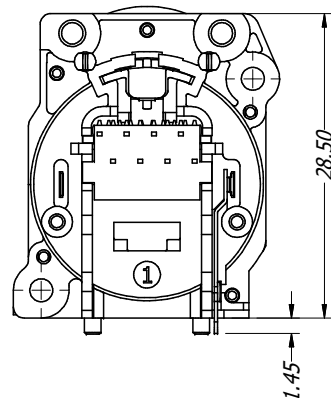
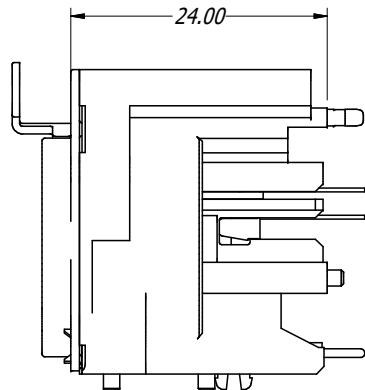
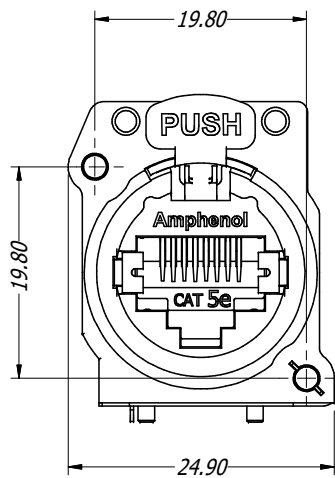
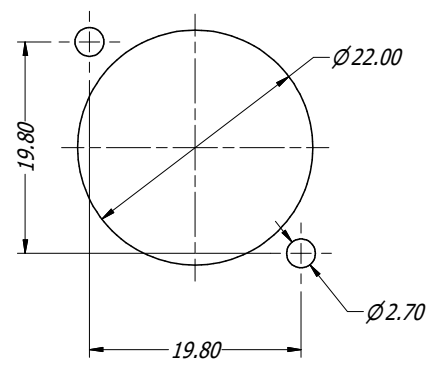
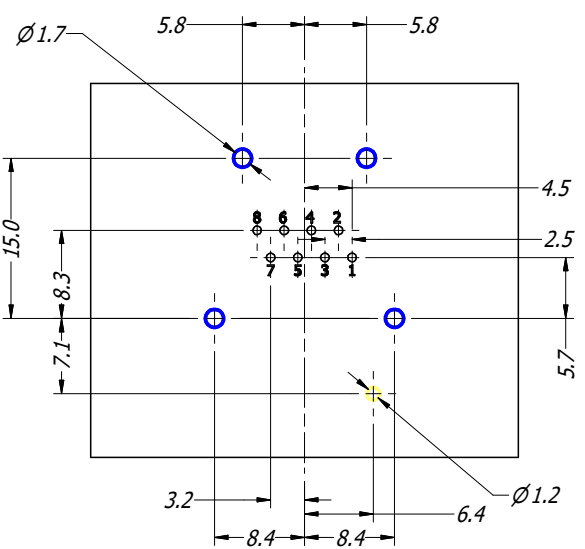
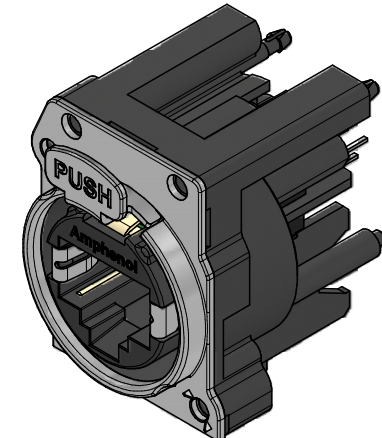


TABLE OF PART NUMBERS		
PART No.	TRANSMISSION CLASS	FRONT SHELL MATEIAL
RJX8FA3V2B	CAT3	TYPE A
RJX8FB3V2B	CAT3	TYPE B
RJX8FC3V2B	CAT3	TYPE B BLACK
RJX8FA5V2B	CAT5	TYPE A
RJX8FB5V2B	CAT5	TYPE B
RJX8FC5V2B	CAT5	TYPE B BLACK
RJX8FA6V2B	CAT6	TYPE A
RJX8FB6V2B	CAT6	TYPE B
RJX8FC6V2B	CAT6	TYPE B BLACK



PANEL CUT OUT
2:1

- SPECIFICATIONS:**
- 1. MATERIALS:**
- PLASTIC INSERT & HOUSING: HIGH TEMPERATURE THERMOPLASTIC FLAMMABILITY RATING UL94V-0 DSM STANYL, 30% BLACK
 - FRONT METAL SHELL: ZINC ALLOY ZAMAK 3, NICKEL PLATE (B TYPE) OR BLACK COATING (C TYPE)
 - CONTACTS: PHOSPHORE BRONZE, 1.27 um GOLD PLATE ON MATING SURFACES, 1.27 um NICKEL MIN UNDERPLATE. 3.81 um MIN MATTE TIN ON CONTACT TAILS.
 - LATCH LOCK AND SPRING: SPRING STEEL, NICKEL PLATE.
- 2. ELECTRICAL CHARACTERISTICS:**
- RATED VOLTAGE: 125 VAC
 - TYPICAL CONTACT RESISTANCE: 20 mOhm
 - INSULATION RESISTANCE: >500 MOhm
 - DIELECTRIC STRENGTH: 1000 VAC, 60 SECONDS
 - TRANSMISSION SPECIFICATION/CLASS: COMPLIES WITH CAT5e 1000 BASE-T PER EIA-568-C.2
 - PoE+ COMPLIES WITH 802.3at Type 2 (SEE PSE PINOUT ALTERNATIVE TABLE)
 - CAT5e AND CAT6 SUPPORT POE TYPE 1 TO 4 AND IEC60603-7 COMPLIANT

CONNECTOR REAR VIEW

- RJ45 CONTACTS
- RJ45 SHELL GROUND CONTACT
- CONNECTOR LOCATION PINS

UNLESS OTHERWISE SPECIFIED TOLERANCE TO BE		THIS DOCUMENT IS THE PROPERTY OF AMPHENOL AUSTRALIA PTY. LTD. NO PART THEREOF MAY BE REPRODUCED AND USED WITHOUT THE PRIOR WRITTEN CONSENT OF THE OWNER.		Amphenol Amphenol Australia Pty.Ltd, 22 Industry Blvd, Carrum Downs VIC 3201	
LINEAR	ANGULAR	MATERIAL:	DRN: J.W	DATE: 07/09/2023	TITLE:
X ± 0.5	X' ± 1	REFER TO COMPONENTS	CKD: P.M	DATE: 07/09/2023	XLRnet CONNECTOR RJ45 RECP, VERTICAL
X.X ± 0.1	X.X' ± 30'	DO NOT SCALE	APP'D: P.M	DATE: 07/09/2023	PART No:
X.X ± 0.05	X.XX" ± 15'	DIMENSIONS IN MILLIMETRES	SCALE:	SIZE: A3	REFER TO TABLE
BREAK ALL SHARP EDGES AND REMOVE ALL BURRS		THIRD ANGLE PROJECTION		DRAWING No. 55011536-200	
DO NOT SCALE		FINISH:		SHEET 1	
DIMENSIONS IN MILLIMETRES		SCALE:		SHEET 9/22	