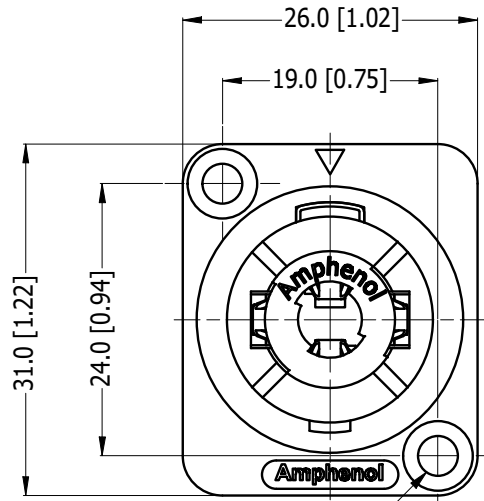


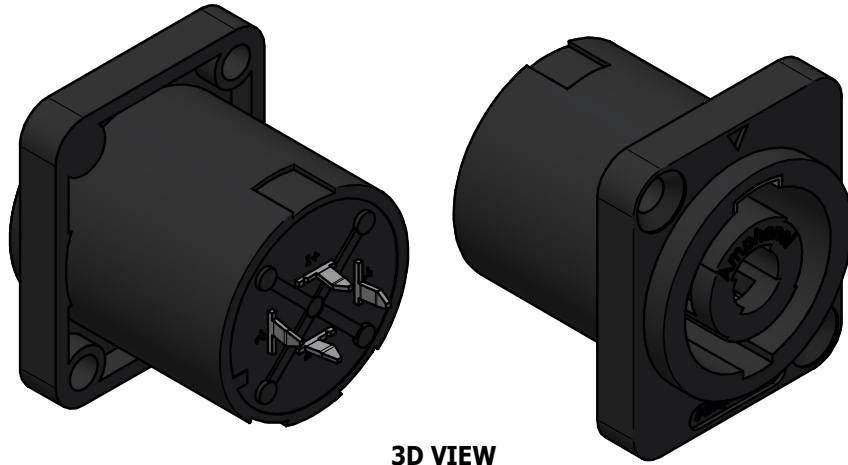
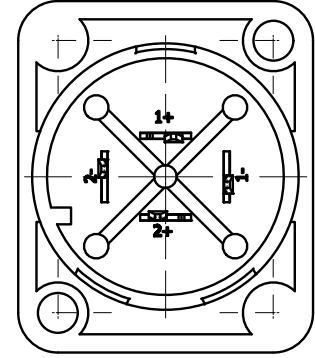
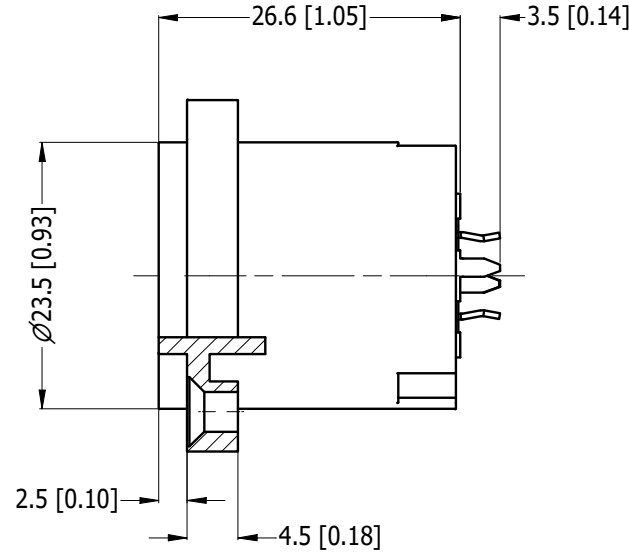
LEGEND  = KEY PRODUCT CHARACTERISTICS



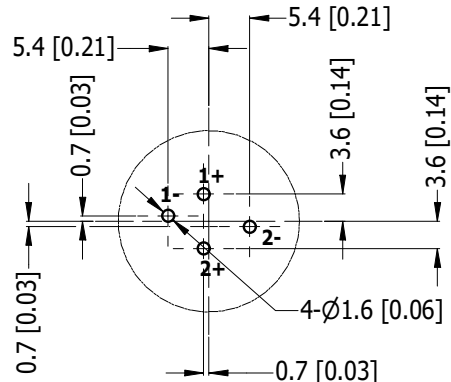
REVISION HISTORY				
REV	DESCRIPTION	BY	DATE	ECN
0	FIRST ISSUE	HH	14-02-11	8990
1	ADD Amphenol LOGO TO CENTRE FACE	MH	10-10-22	9707



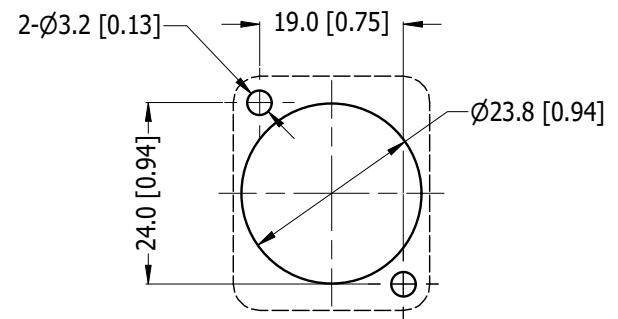
REFER TO TABLE OF PART No. FOR MOUNTING HOLE DETAIL



3D VIEW



PCB LAYOUT FRONT VIEW (SCALE 1 : 1)



PANEL CUTOUT (SCALE 1 : 1)

PART NUMBER TABLE

PART NUMBER	MOUNTING HOLE	SHELL COLOUR
SP-4-MDV	Ø3.5 TRHU HOLES	BLACK
SP-4-MDV-2	Ø3.5 TRHU HOLES	RED
SP-4-MDVT-8	Ø2.3 SELF TAPPING HOLES	GREY

UNLESS OTHERWISE SPECIFIED TOLERANCE TO BE	
LINEAR	ANGULAR
X ± 0.5	X' ± 1
X.X ± 0.1	X.X' ± 30'
X.XX ± 0.05	X.XX" ± 15'
BREAK ALL SHARP EDGES AND REMOVE ALL BURRS	
DO NOT SCALE	

THIS DOCUMENT IS THE PROPERTY OF AMPHENOL AUSTRALIA PTY. LTD. NO PART THEREOF MAY BE REPRODUCED AND USED WITHOUT THE PRIOR WRITTEN CONSENT OF THE OWNER

MATERIAL: **REFER TO COMPONENTS**

FINISH:

DRN: HH DATE: 10-02-11

CKD: MH DATE: 10-10-22

APP'D: PM DATE: 10-10-22

SCALE: **3:2** SIZE: **A4**

Amphenol Amphenol Australia Pty.Ltd, 22 Industry Blvd, Carrum Downs, VIC 3201

TITLE: **SP SERIES CONNECTOR LOUDSPEAKER 4 POLE VERTICAL PCB**

PART No. **REFER TO TABLE**

DRAWING No. **55010742-000-2** SHEET **2/2**

CAD FILE: 55010742000111

DIMENSIONS IN MILLIMETRES 