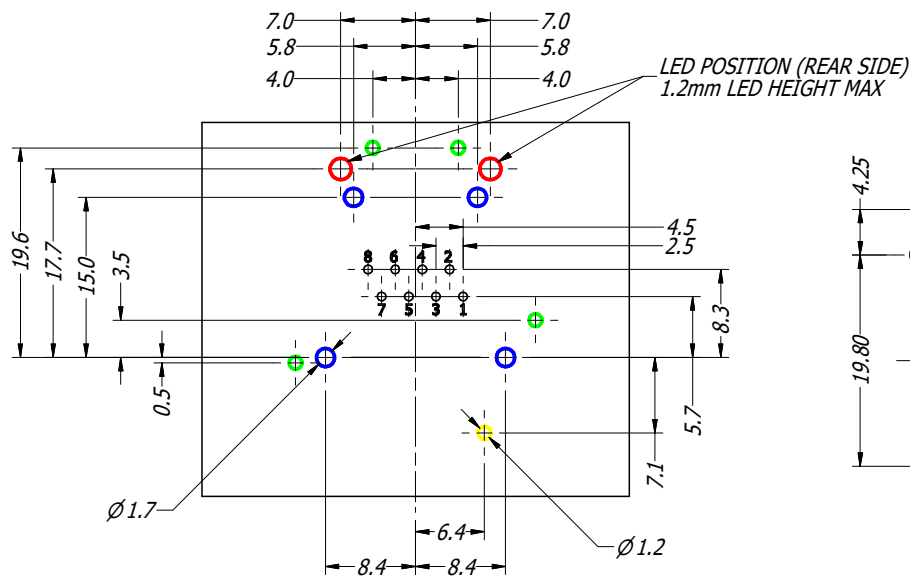
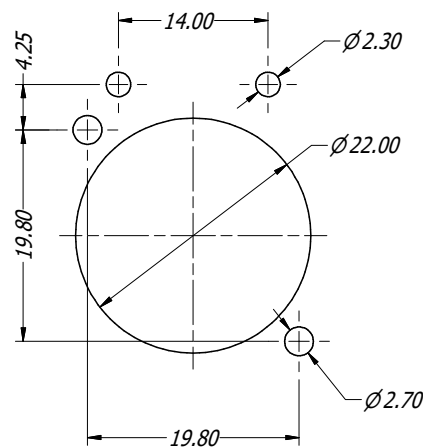


TABLE OF PART NUMBERS		
PART No.	TRANSMISSION CLASS	FRONT SHELL MATEIAL
RJX8FA3V2LPEB	CAT3	TYPE A
RJX8FB3V2LPEB	CAT3	TYPE B
RJX8FC3V2LPEB	CAT3	TYPE B BLACK
RJX8FA5V2LPEB	CAT5	TYPE A
RJX8FB5V2LPEB	CAT5	TYPE B
RJX8FC5V2LPEB	CAT5	TYPE B BLACK
RJX8FA6V2LPEB	CAT6	TYPE A
RJX8FB6V2LPEB	CAT6	TYPE B
RJX8FC6V2LPEB	CAT6	TYPE B BLACK

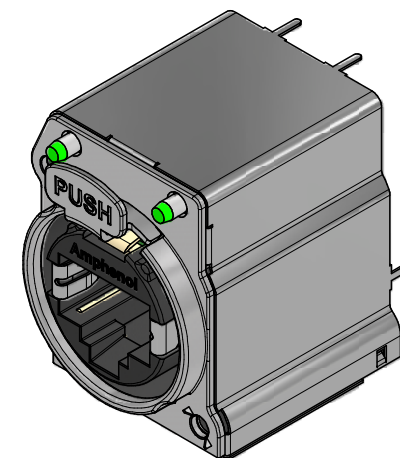


PCB LAYOUT
2 : 1
CONNECTOR REAR VIEW

- RJ45 CONTACTS
- RJ45 SHELL GROUND CONTACT
- SHIELD BOX LEGS
- CONNECTOR LOCATION PINS
- LED (SMD) POSITION



PANEL CUT OUT
2 : 1



SPECIFICATIONS:

1. MATERIALS:

- PLASTIC INSERT & HOUSING: HIGH TEMPERATURE THERMOPLASTIC FLAMMABILITY RATING UL94V-0 DSM STANYL, 30% BLACK
- FRONT METAL SHELL: ZINC ALLOY ZAMAK 3, NICKEL PLATE (B TYPE) OR BLACK COATING (C TYPE)
- CONTACTS: PHOSPHORE BRONZE, 1.27 um GOLD PLATE ON MATING SURFACES, 1.27 um NICKEL MIN UNDERPLATE. 3.81 um MIN MATTE TIN ON CONTACT TAILS.
- LATCH LOCK AND SPRING: SPRING STEEL, NICKEL PLATE.

2. ELECTRICAL CHARACTERISTICS:

- RATED VOLTAGE: 125 VAC
- TYPICAL CONTACT RESISTANCE: 20 mOhm
- INSULATION RESISTANCE: >500 MOhm
- DIELECTRIC STRENGTH: 1000 VAC, 60 SECONDS
- TRANSMISSION SPECIFICATION/CLASS: COMPLIES WITH CAT5e 1000 BASE-T PER EIA-568-C.2
- PoE+ COMPLIES WITH 802.3at Type 2 (SEE PSE PINOUT ALTERNATIVE TABLE)
- CAT5e AND CAT6 SUPPORT POE TYPE 1 TO 4 AND IEC60603-7 COMPLIANT

UNLESS OTHERWISE SPECIFIED TOLERANCE TO BE	
LINEAR	ANGULAR
X ± 0.5	X' ± 1
XX ± 0.1	XX' ± 30'
XXX ± 0.05	XXX' ± 15'

THIS DOCUMENT IS THE PROPERTY OF AMPHENOL AUSTRALIA PTY. LTD. NO PART THEREOF MAY BE REPRODUCED AND USED WITHOUT THE PRIOR WRITTEN CONSENT OF THE OWNER.			
MATERIAL: REFER TO COMPONENTS	DRN: J.W	DATE: 07/09/2023	TITLE: XLNet CONNECTOR RJ45 RECP, VERTICAL LIGHT PIPE, SHIELDED
DO NOT SCALE	CKD: P.M	DATE: 07/09/2023	
FINISH:	APP'D: P.M	DATE: 07/09/2023	
DIMENSIONS IN MILLIMETRES	SCALE:	SIZE: A3	

Amphenol		Amphenol Australia Pty.Ltd, 22 Industry Blvd, Carrum Downs VIC 3201	
PART No:	REFER TO TABLE	PART No:	REV
			1
DRAWING No.	55011536-000	SHEET	2/16