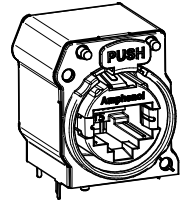
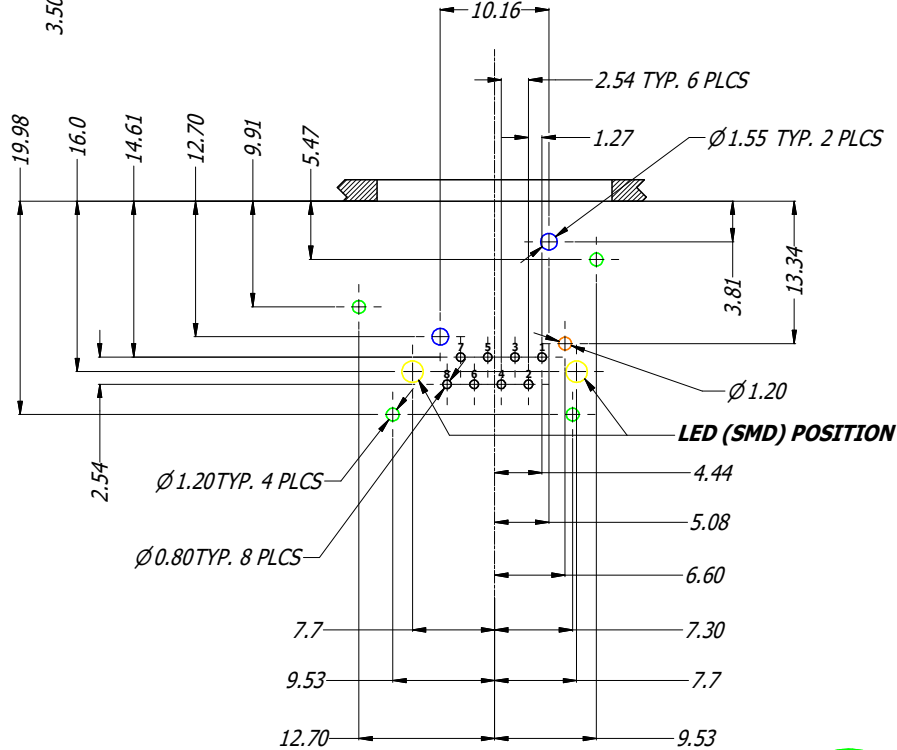


TABLE OF PART NUMBERS		
PART No.	TRANSMISSION CLASS	FRONT SHELL MATEIAL
RJX8FA3HLPEB	CAT3	TYPE A
RJX8FB3HLPEB	CAT3	TYPE B
RJX8FC3HLPEB	CAT3	TYPE B BLACK
RJX8FA5HLPEB	CAT5	TYPE A
RJX8FB5HLPEB	CAT5	TYPE B
RJX8FC5HLPEB	CAT5	TYPE B BLACK
RJX8FA6HLPEB	CAT6	TYPE A
RJX8FB6HLPEB	CAT6	TYPE B
RJX8FC6HLPEB	CAT6	TYPE B BLACK

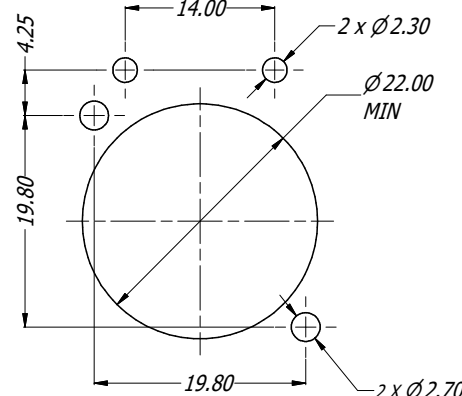


**3D VIEW**  
1:1

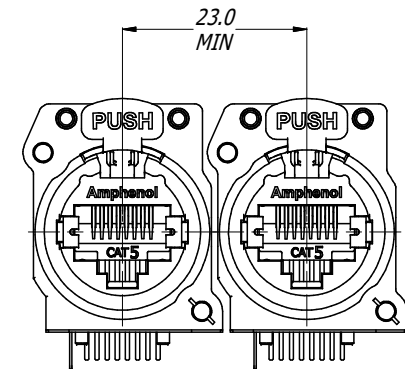


**PCB LAYOUT**  
**(CONNECTOR TOP VIEW)**

- RJ45 CONTACTS
- RJ45 SHELL GROUND CONTACT
- SHIELD BOX LEGS
- CONNECTOR LOCATION PINS
- LED (SMD) POSITION



**PANEL CUT OUT**



**MIN MOUNTING PITCH**  
1:1

- NOTES:**
- REFER TO SHEET 2 OF 2 FOR BILL OF MATERIAL AND PART NUMBERS.
  - SHEETS 1 & 2 TO BE USED FOR PRODUCTION. SHEETS 3 & 4 AND 5 ARE CUSTOMER DWGS.



UNLESS OTHERWISE SPECIFIED TOLERANCE TO BE:

LINEAR: ±0.5 X X ±0.1 X X ±0.05 X X ±0.05

ANGULAR: ±1 X X' ±30' X X X' ±15'

BREAK ALL SHARP EDGES AND REMOVE ALL BURRS

DO NOT SCALE

DIMENSIONS IN MILLIMETRES

THIS DOCUMENT IS THE PROPERTY OF AMPHENOL AUSTRALIA PTY. LTD. NO PART THEREOF MAY BE REPRODUCED AND USED WITHOUT THE PRIOR WRITTEN CONSENT OF THE OWNER.

MATERIAL: REFER TO COMPONENTS

DRN: J.W DATE: 28/06/2024

CKD: P.M DATE: 28/06/2024

APP'D: P.M DATE: 28/06/2024

THIRD ANGLE PROJECTION

SCALE: 3:2 SIZE: A3

**Amphenol**

Amphenol Australia Pty. Ltd,  
22 Industry Blvd, Carrum Downs  
VIC 3201 Australia

TITLE:  
**XLRnet CONNECTOR**  
**RJ45 REC**  
**CAT5 LIGHT PIPE**

PART No:  
**REFER TO TABLE OF PART NUMBERS**

DRAWING No.  
**55011522-000**

REV  
**1**

SHEET  
**1/16**