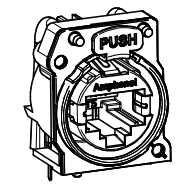
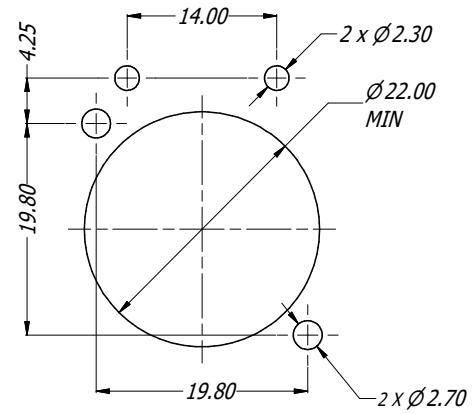
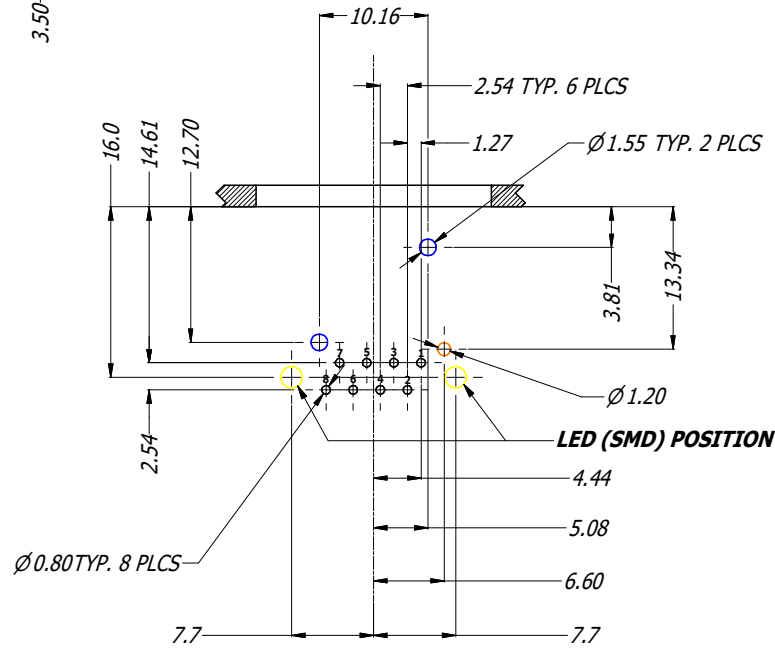
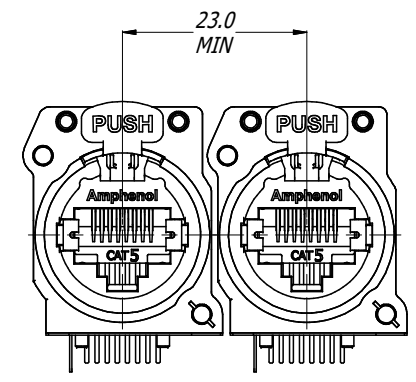


TABLE OF PART NUMBERS		
PART No.	TRANSMISSION CLASS	FRONT SHELL MATEIAL
RJX8FA3HLPEB	CAT3	TYPE A
RJX8FB3HLPEB	CAT3	TYPE B
RJX8FC3HLPEB	CAT3	TYPE B BLACK
RJX8FA5HLPEB	CAT5	TYPE A
RJX8FB5HLPEB	CAT5	TYPE B
RJX8FC5HLPEB	CAT5	TYPE B BLACK
RJX8FA6HLPEB	CAT6	TYPE A
RJX8FB6HLPEB	CAT6	TYPE B
RJX8FC6HLPEB	CAT6	TYPE B BLACK



3D VIEW  
1:1



MIN MOUNTING PITCH  
1:1

NOTES:  
1. REFER TO SHEET 2 OF 2 FOR BILL OF MATERIAL AND PART NUMBERS.  
2. SHEETS 1 & 2 TO BE USED FOR PRODUCTION. SHEETS 3 & 4 AND 5 ARE CUSTOMER DWGS.

- RJ45 CONTACTS
- RJ45 SHELL GROUND CONTACT
- CONNECTOR LOCATION PINS
- LED (SMD) POSITION



UNLESS OTHERWISE SPECIFIED TOLERANCE TO BE:		THIS DOCUMENT IS THE PROPERTY OF AMPHENOL AUSTRALIA PTY. LTD. NO PART THEREOF MAY BE REPRODUCED AND USED WITHOUT THE PRIOR WRITTEN CONSENT OF THE OWNER.				<b>Amphenol Australia Pty. Ltd.</b> 22 Industry Blvd, Carrum Downs VIC 3201 Australia	
LINEAR	ANGULAR	MATERIAL:	DRN: J.W	DATE: 28/06/2024	TITLE:	PART No:	REV
X ±0.5	X' ±1	<b>REFER TO COMPONENTS</b>	CKD: P.M	DATE: 28/06/2024	<b>XLRnet CONNECTOR</b>	<b>REFER TO TABLE OF PART NUMBERS</b>	<b>1</b>
X.X ±0.1	X.X' ±30'	DO NOT SCALE	APP'D: P.M	DATE: 28/06/2024	<b>RJ45 RECP</b>	DRAWING No.	SHEET
X.X ±0.05	X.XX" ±15'	FINISH:	SCALE: <b>3:2</b>	SIZE: <b>A3</b>	<b>CAT5 LIGHT PIPE</b>	<b>55011522-100</b>	<b>2,16</b>
BREAK ALL SHARP EDGES AND REMOVE ALL BURRS		DIMENSIONS IN MILLIMETRES		THIRD ANGLE PROJECTION			