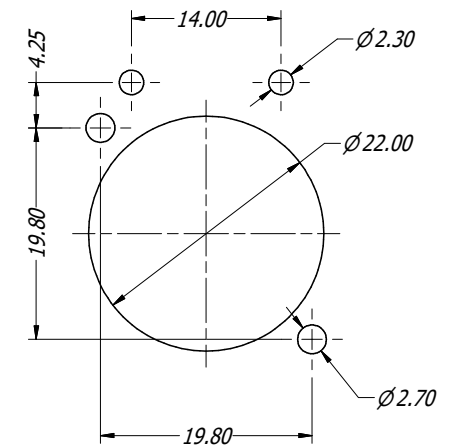
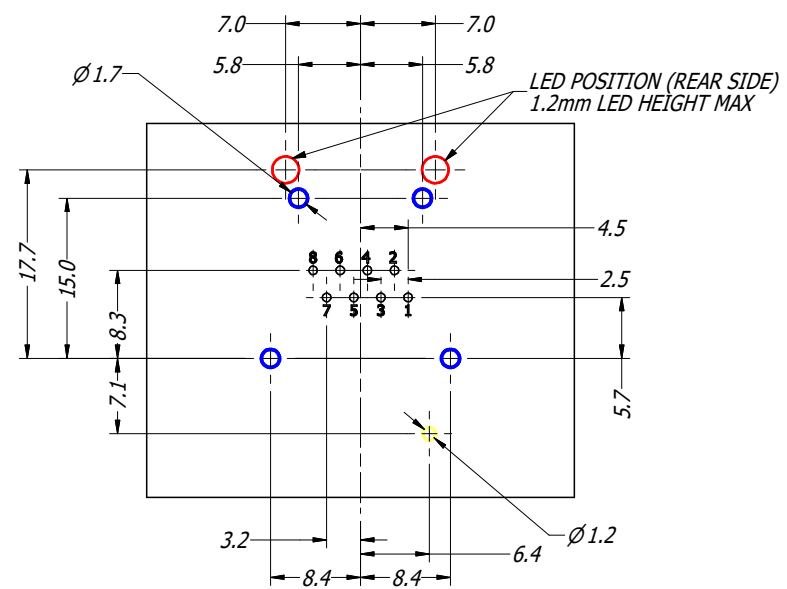
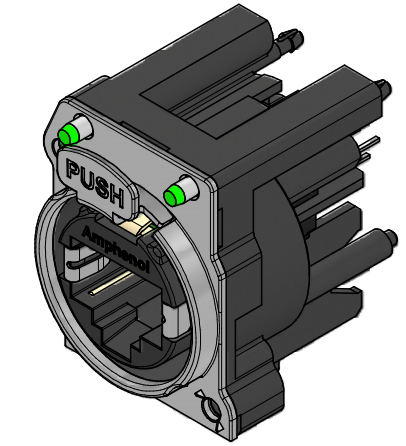


TABLE OF PART NUMBERS		
PART No.	TRANSMISSION CLASS	FRONT SHELL MATEIAL
RJX8FA3V2LPB	CAT3	TYPE A
RJX8FB3V2LPB	CAT3	TYPE B
RJX8FC3V2LPB	CAT3	TYPE B BLACK
RJX8FA5V2LPB	CAT5	TYPE A
RJX8FB5V2LPB	CAT5	TYPE B
RJX8FC5V2LPB	CAT5	TYPE B BLACK
RJX8FA6V2LPB	CAT6	TYPE A
RJX8FB6V2LPB	CAT6	TYPE B
RJX8FC6V2LPB	CAT6	TYPE B BLACK



PANEL CUT OUT
2 : 1



- SPECIFICATIONS:**
- MATERIALS:**
 - PLASTIC INSERT & HOUSING: HIGH TEMPERATURE THERMOPLASTIC FLAMMABILITY RATING UL94V-0 DSM STANYL, 30% BLACK
 - FRONT METAL SHELL: ZINC ALLOY ZAMAK 3, NICKEL PLATE (B TYPE) OR BLACK COATING (C TYPE)
 - CONTACTS: PHOSPHORE BRONZE, 1.27 um GOLD PLATE ON MATING SURFACES, 1.27 um NICKEL MIN UNDERPLATE. 3.81 um MIN MATTE TIN ON CONTACT TAILS.
 - LATCH LOCK AND SPRING: SPRING STEEL, NICKEL PLATE.
 - ELECTRICAL CHARACTERISTICS:**
 - RATED VOLTAGE: 125 VAC
 - TYPICAL CONTACT RESISTANCE: 20 mOhm
 - INSULATION RESISTANCE: >500 MOhm
 - DIELECTRIC STRENGTH: 1000 VAC, 60 SECONDS
 - TRANSMISSION SPECIFICATION/CLASS: COMPLIES WITH CAT5e 1000 BASE-T PER EIA-568-C.2
 - PoE+ COMPLIES WITH 802.3at Type 2 (SEE PSE PINOUT ALTERNATIVE TABLE)
 - CAT5e AND CAT6 SUPPORT POE TYPE 1 TO 4 AND IEC60603-7 COMPLIANT

CONNECTOR REAR VIEW

- RJ45 CONTACTS
- RJ45 SHELL GROUND CONTACT
- ⊕ CONNECTOR LOCATION PINS
- ⊗ LED (SMD) POSITION

UNLESS OTHERWISE SPECIFIED TOLERANCE TO BE		THIS DOCUMENT IS THE PROPERTY OF AMPHENOL AUSTRALIA PTY. LTD. NO PART THEREOF MAY BE REPRODUCED AND USED WITHOUT THE PRIOR WRITTEN CONSENT OF THE OWNER.	
LINEAR	ANGULAR	MATERIAL:	DRN: J.W DATE: 07/09/2023
X ± 0.5	X' ± 1	REFER TO COMPONENTS	CKD: P.M DATE: 07/09/2023
X.X ± 0.1	X.X' ± 30°		APP'D: P.M DATE: 07/09/2023
X.X ± 0.05	X.XX" ± 15'	DO NOT SCALE	SCALE:
BREAK ALL SHARP EDGES AND REMOVE ALL BURRS		FINISH:	SIZE: A3
DIMENSIONS IN MILLIMETRES		THIRD ANGLE PROJECTION	

Amphenol Amphenol Australia Pty.Ltd.
22 Industry Blvd, Carrum Downs VIC 3201

XLRnet CONNECTOR RJ45 RECP, VERTICAL LIGHT PIPE, UNSHIELDED

PART No:	REV
REFER TO TABLE	1
DRAWING No.	SHEET
55011536-100	3/16