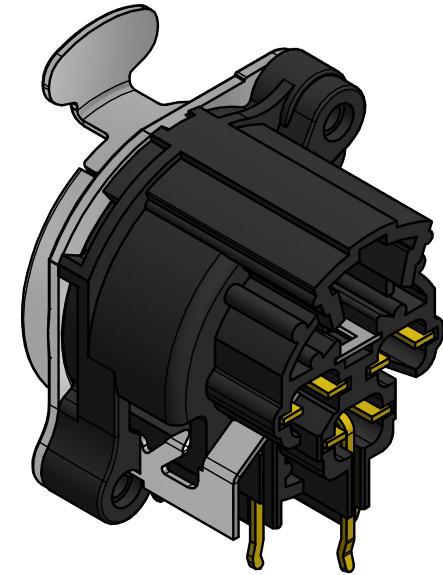
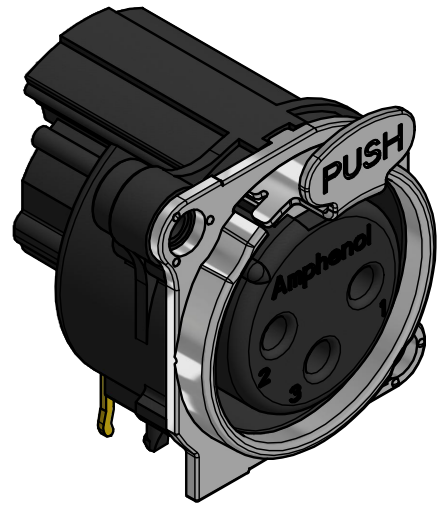
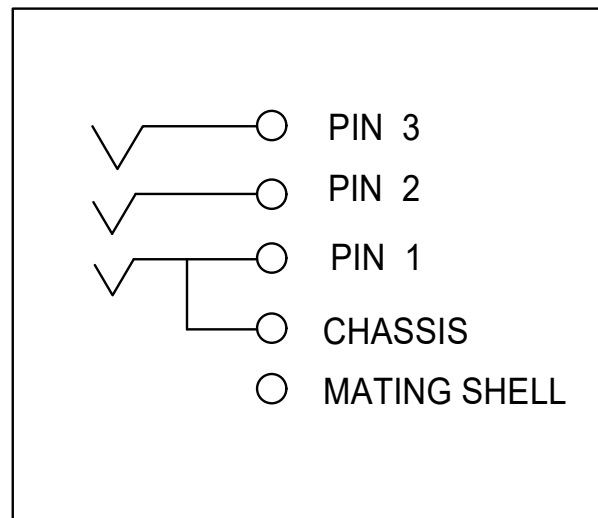
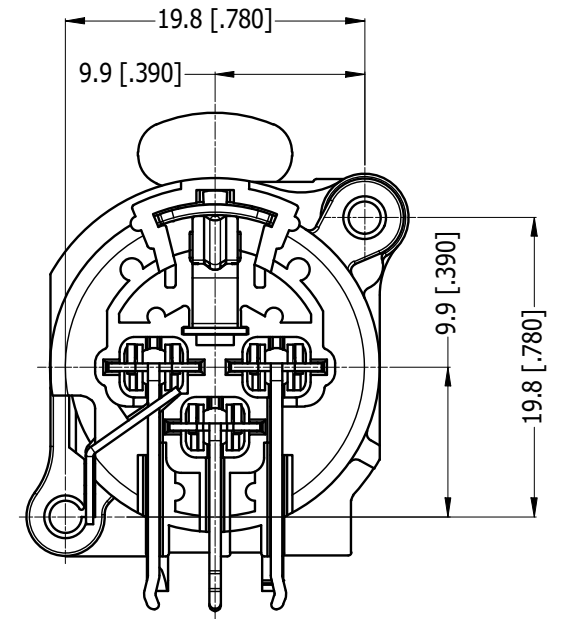
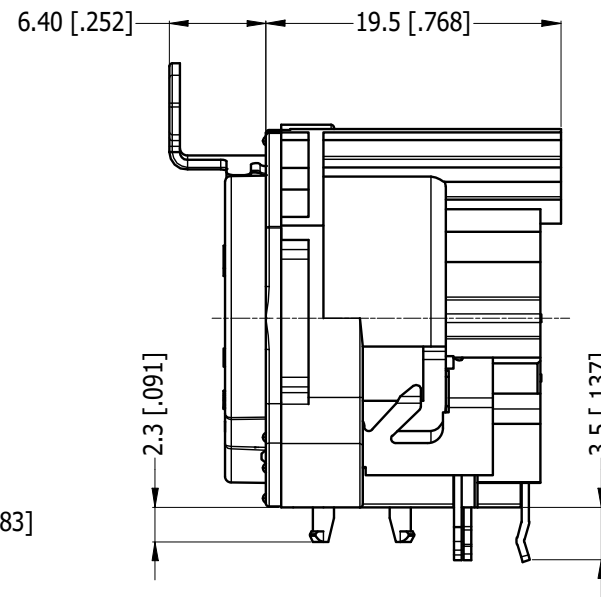
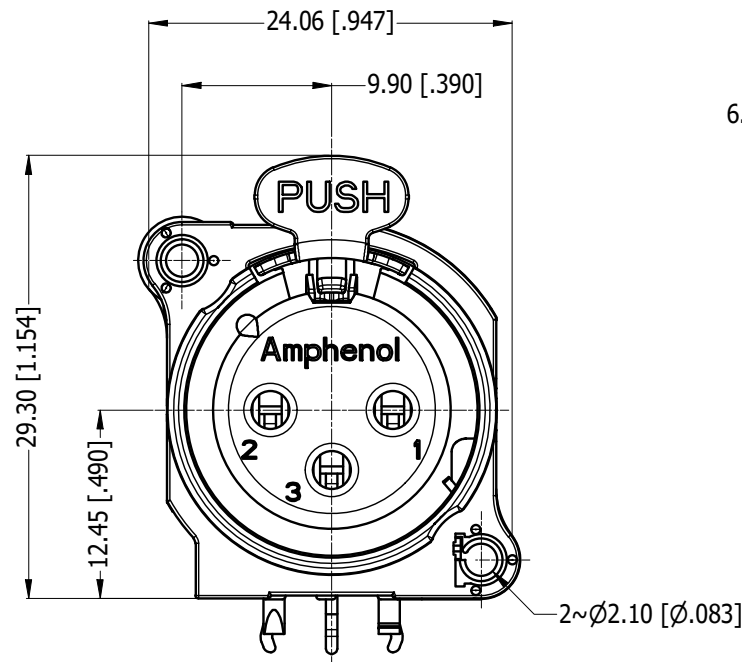


LEGEND = KEY PRODUCT CHARACTERISTICS

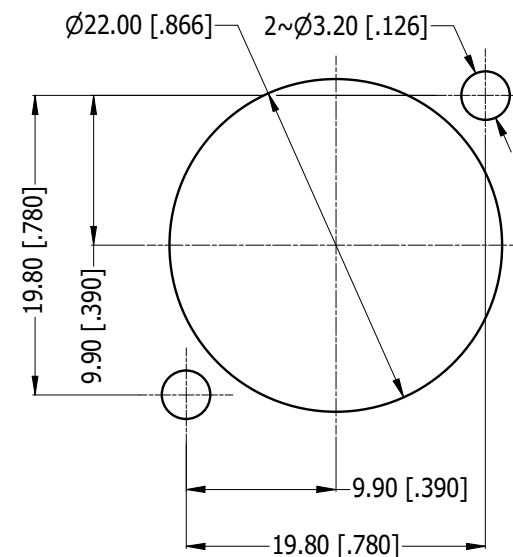
REVISION HISTORY				
REV	DESCRIPTION	DATE	BY	CHG/No
0	FIRST ISSUE	26-10-20	MH	----



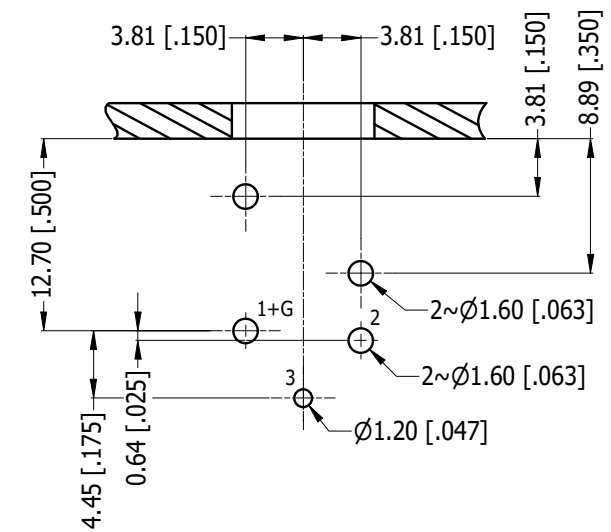
ISO VIEW



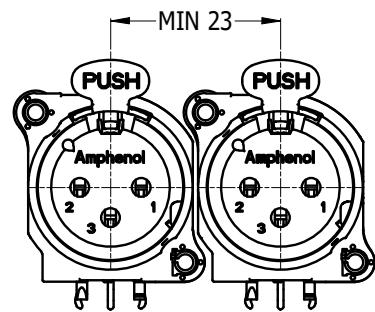
SCHEMATIC CHART



**PANEL CUT OUT
REAR VIEW**



**PCB-LAYOUT
COMPONENT SIDE
TOLERANCE: ±0.05mm [.002"]**



**MIN MOUNTING PITCH
SCALE 1:1**

PART NUMBER TABLE	
PART NUMBER	METAL FLANGE FINISH
AC3FBH3-AU-PRE	SATIN NICKEL
AC3FBHB3-AU-PRE	MATT BLACK

UNLESS OTHERWISE SPECIFIED TOLERANCE TO BE		THIS DOCUMENT IS THE PROPERTY OF AMPHENOL AUSTRALIA PTY. LTD. NO PART THEREOF MAY BE REPRODUCED AND USED WITHOUT THE PRIOR WRITTEN CONSENT OF THE OWNER				Amphenol Amphenol Australia Pty.Ltd, 22 Industry Blvd, Carrum Downs, VIC 3201	
LINEAR	ANGULAR	MATERIAL: REFER TO COMPONENT	DRN: MH	DATE: 26-10-20	TITLE: AC3FBH3-AU-PRE HORIZONTAL FEMALE CUSTOMER DRAWING	PART No: REFER TO TABLE	
X ±0.5	X' ±1	BREAK ALL SHARP EDGES AND REMOVE ALL BURRS	CKD: M.H	DATE: 26-10-20	DRAWING NO. 55011435-000-2	SHEET 2/2	
X.X ±0.2	X.X' ±.30'	DO NOT SCALE	APP'D: P.M	DATE: 26-10-20	CAD FILE: 55011435000220	55011435-000-2	
X.XX ±0.1	X.XX' ±.15'	DIMENSIONS IN MILLIMETRES	SCALE: 2:1	SIZE: A3			