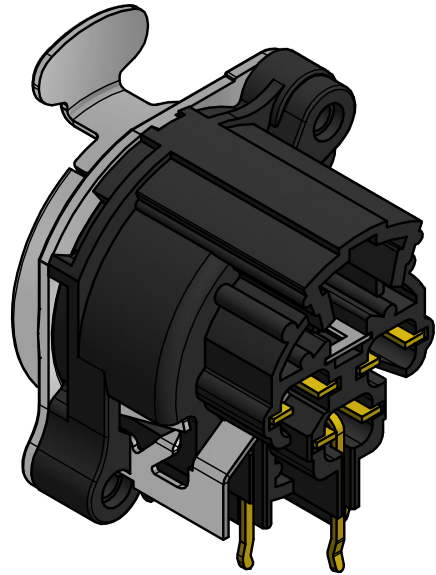
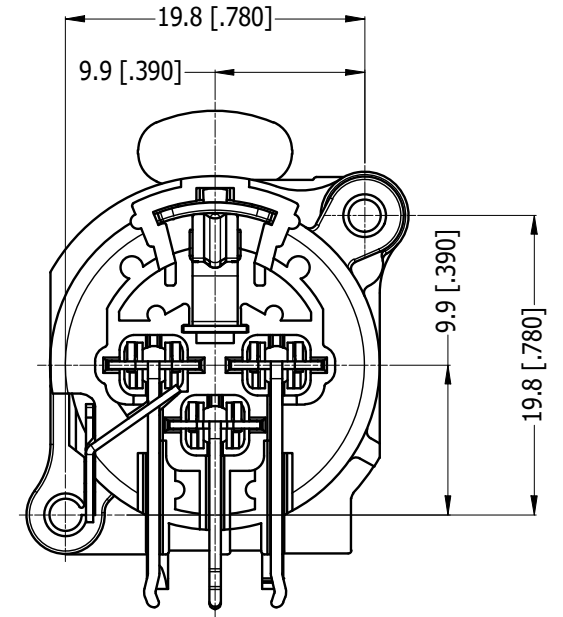
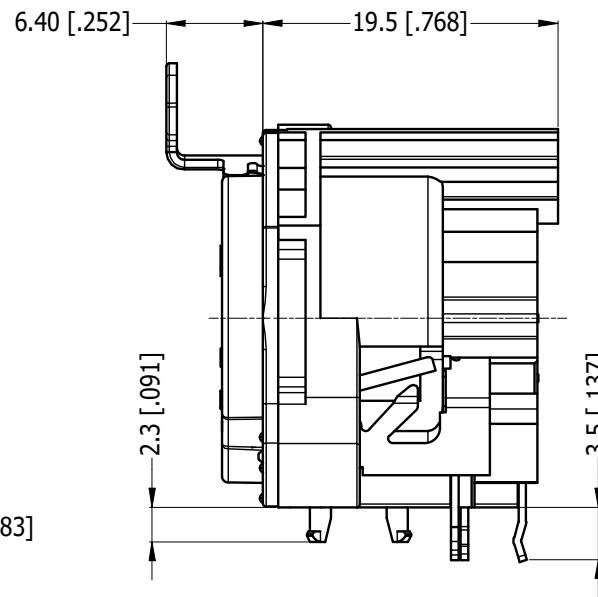
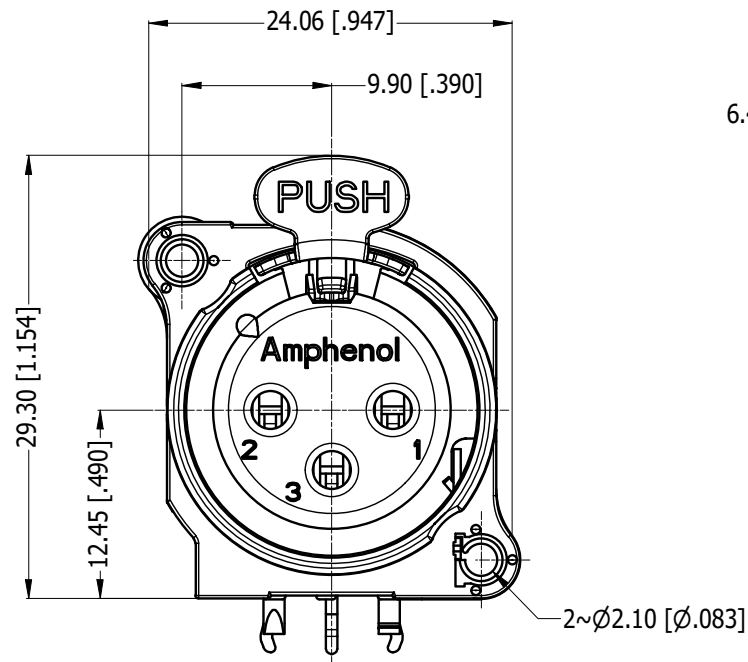
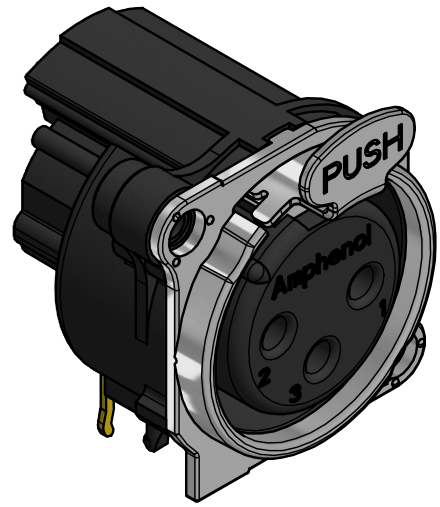
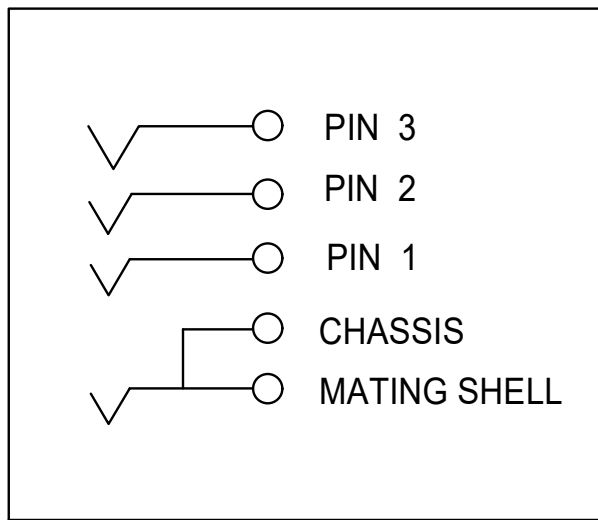


LEGEND = KEY PRODUCT CHARACTERISTICS

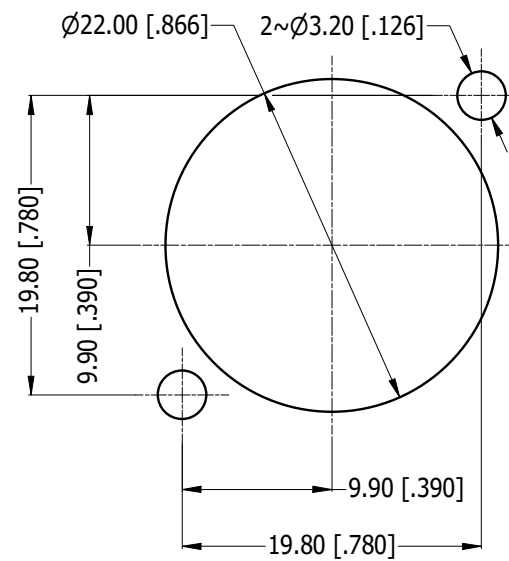
REVISION HISTORY				
REV	DESCRIPTION	DATE	BY	CHG/No
0	FIRST ISSUE	21-12-17	MH	----



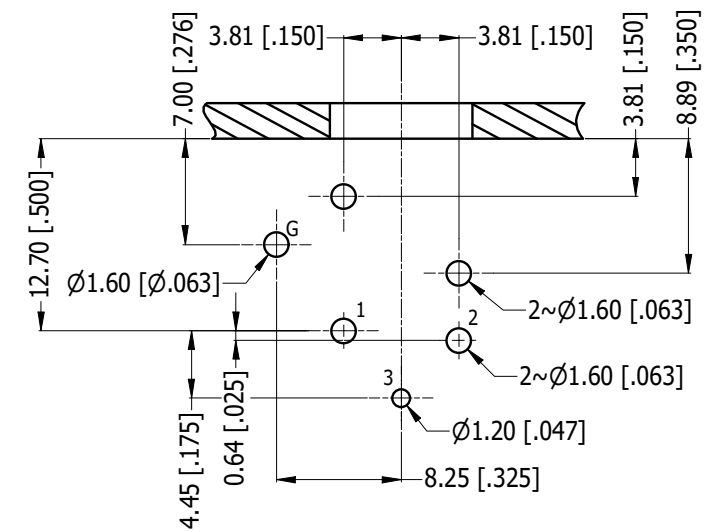
ISO VIEW



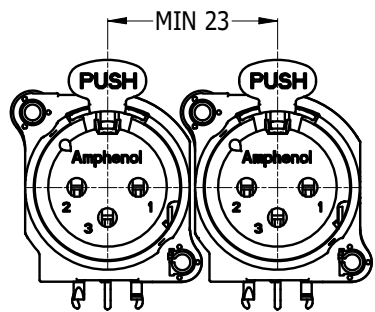
SCHMATIC CHART



PANEL CUT OUT
REAR VIEW



PCB-LAYOUT
COMPONENT SIDE
TOLERANCE: ±0.05mm [.002"]



MIN MOUNTING PITCH
SCALE 1:1

UNLESS OTHERWISE SPECIFIED TOLERANCE TO BE		THIS DOCUMENT IS THE PROPERTY OF AMPHENOL AUSTRALIA PTY. LTD. NO PART THEREOF MAY BE REPRODUCED AND USED WITHOUT THE PRIOR WRITTEN CONSENT OF THE OWNER				Amphenol Amphenol Australia Pty.Ltd, 22 Industry Blvd, Carrum Downs, VIC 3201	
LINEAR	ANGULAR	MATERIAL: REFER TO COMPONENT	DRN: MH	DATE: 21-12-17	TITLE: AC3FBH2-AU-PRE HORIZONTAL FEMALE CUSTOMER DRAWING	PART No: AC3FBH2-AU-PRE	
X ±0.5	X' ±1	BREAK ALL SHARP EDGES AND REMOVE ALL BURRS	CKD: MH	DATE: 21-12-17	DRAWING NO. 55011280-000-2	SHEET 2/2	
X.X ±0.2	X.X' ±.30'	DO NOT SCALE	APP'D: PM	DATE: 21-12-17	CAD FILE: 55011280000220	55011280-000-2	
X.XX ±0.1	X.XX' ±.15'	DIMENSIONS IN MILLIMETRES	SCALE: 2:1	SIZE: A3			