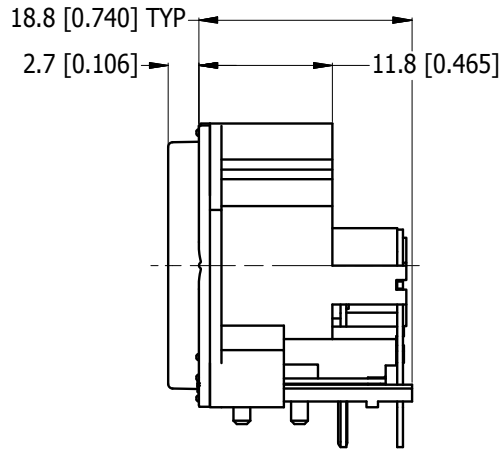
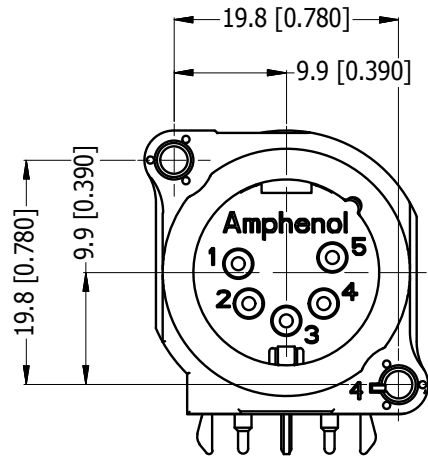
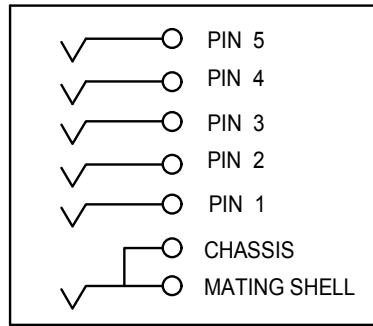
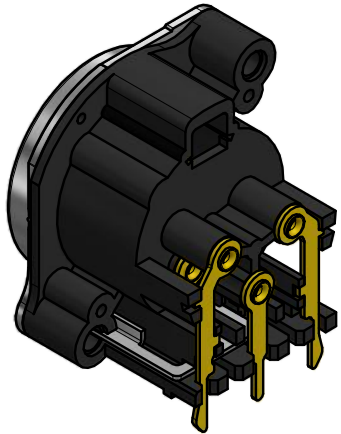
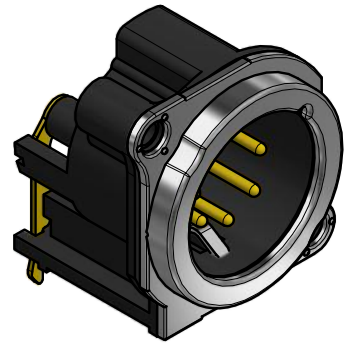
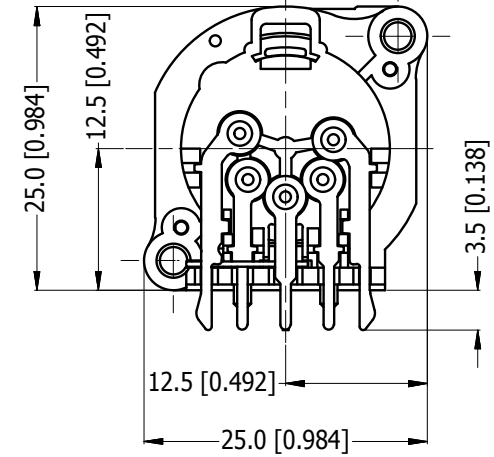


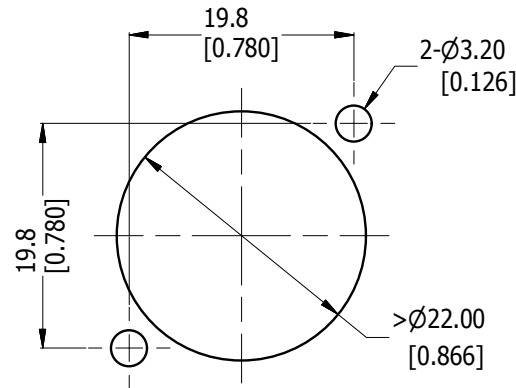
LEGEND = KEY PRODUCT CHARACTERISTICS



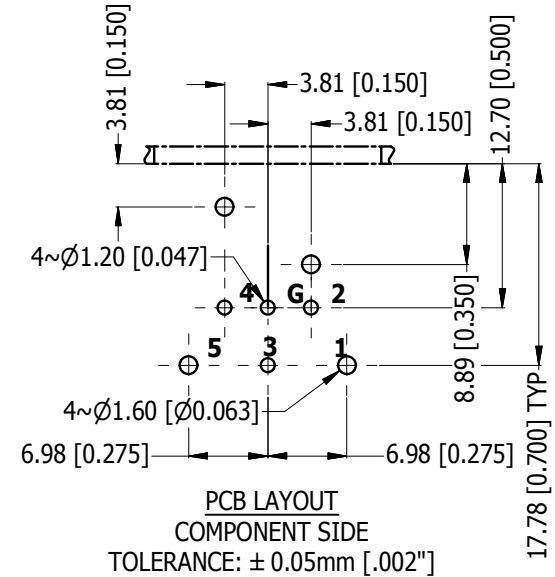
REVISION HISTORY				
REV	DESCRIPTION	DATE	BY	ECN
1	FIRST ISSUED	17-03-17	MH	----
2	ELIMINATED LATCHING COMPONENT	30-01-18	MH	9468



SCHEMATIC CHART



PANEL CUT OUT  
REAR VIEW



PCB LAYOUT  
COMPONENT SIDE  
TOLERANCE: ± 0.05mm [.002"]

PART NUMBER TABLE	
PART NUMBER	METAL FLANGE FINISH
AC5MBH-AU-PRE	SATIN NICKEL
AC5MBHB-AU-PRE	MATT BLACK

UNLESS OTHERWISE SPECIFIED TOLERANCE TO BE	
LINEAR	ANGULAR
X ± 0.5	X' ± 1
X.X ± 0.2	X.X' ± 30'
X.XX ± 0.1	X.XX" ± 15"

THIS DOCUMENT IS THE PROPERTY OF AMPHENOL AUSTRALIA PTY. LTD.  
NO PART THEREOF MAY BE REPRODUCED AND USED  
WITHOUT THE PRIOR WRITTEN CONSENT OF THE OWNER

MATERIAL: **SEE COMPONENT**  
FINISH: **SEE COMPONENT**

DRN: M.H DATE: 14-03-17  
CKD: M.H DATE: 30-01-18  
APP'D: P.M DATE: 30-01-18

DIMENSIONS IN MILLIMETRES



SCALE: **3:2** SIZE: **A4**

**Amphenol** Amphenol Australia Pty.Ltd,  
22 Industry Blvd, Carrum Downs, VIC 3201

TITLE:  
**AC5MBH/B-AU-PRE  
B-TYPE HORIZ  
CUSTOMER DWG**

PART No.  
**SEE PN TABLE**  
DRAWING No.  
**55011223-000-2** SHEET  
**2/2**

CAD FILE 55011223000112